

Electrode holder with pressure spring DE 3200 / 3300 / 3400 / 3500 / 3600

Brass version



**Electrode
holder.
Made in
Germany.**

Typ	Rating (60% duty cycle)	Electrode- \varnothing	Welding cable ¹⁾	Order no.
DE 3200	200 A	2 - 4 mm	25 / 35 mm ²	512.D255
DE 3300	300 A	2 - 5 mm	35 / 50 mm ²	512.D256
DE 3400	400 A	4 - 6 mm	50 / 70 mm ²	512.D257
DE 3500	500 A	4 - 8 mm	70 / 95 mm ²	512.D258
DE 3600	600 A	4 - 10 mm	70 / 95 mm ²	512.D259

¹⁾ Welding cable is fastened by a cable socket.

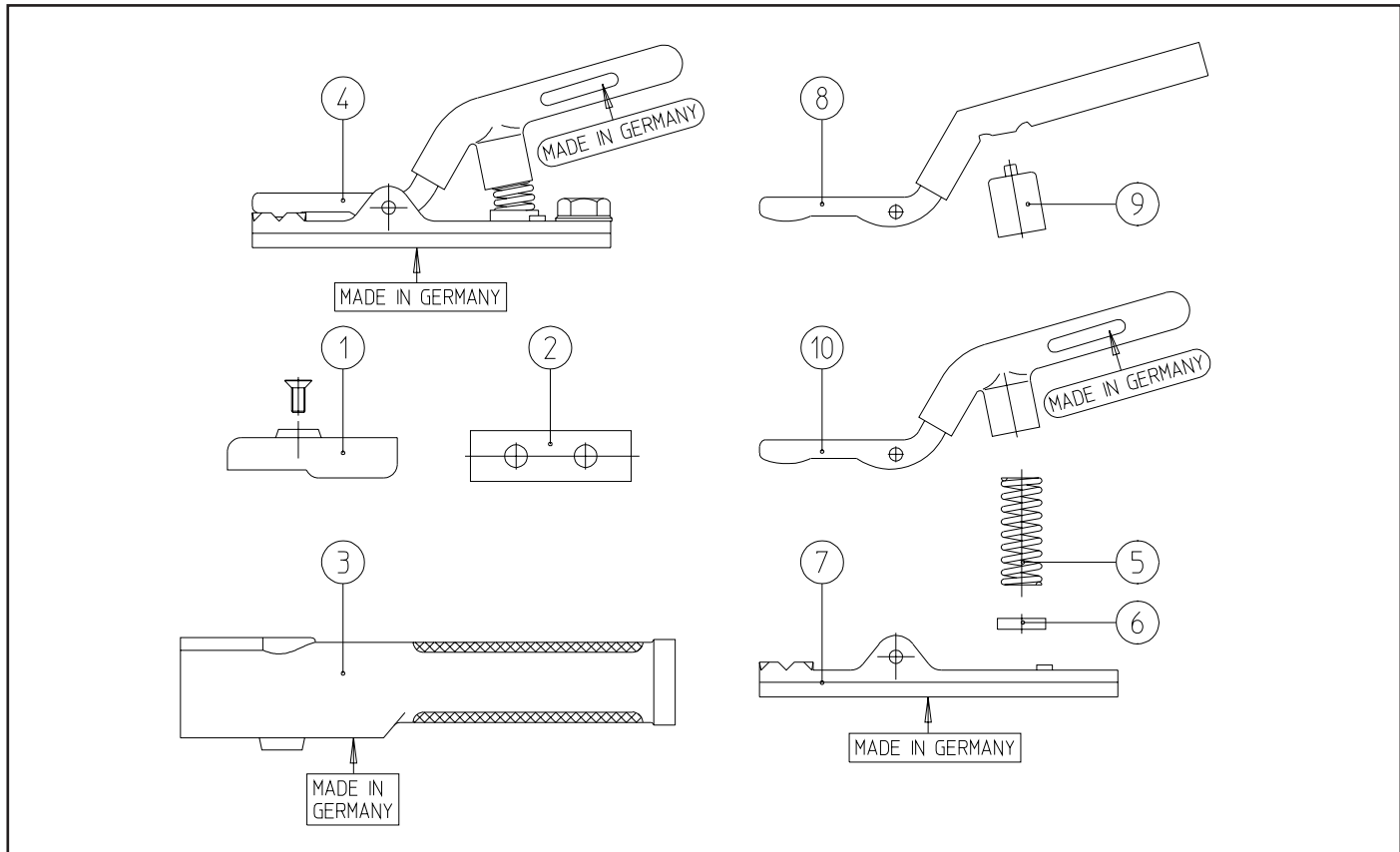
The most important components of the Original Electrode Holder are identified and marked „Made in Germany“.

KURT HAUFE

an enterprise of the **ABICOR** Group



For welding and cutting come to the point.



Pos.	Discription	DE 3200	DE 3300	DE 3400	DE 3500	DE 3600	Order no.
1	Insulating jaw	X					512.D021
			X	X			512.D031
					X		512.D041
						X	512.D091
2	Insulating plate			X	X	X	512.D032
3	Handle	X					512.D022
			X				512.D033
				X	X	X	512.D082
4	Front part	X					512.D268
			X				512.D270
				X			512.D236
					X		512.D272
						X	512.D274
5	Pressure spring	X					512.D025
			X	X	X	X	512.D035
				X	X	X	512.D036
6	Cap	X					512.D026
7	Lower part	X					512.D276
			X				512.D278
				X			512.D218
					X		512.D280
						X	512.D282
8	Lever	X					512.D028
9	Insulating cap	X					512.D063
10	Lever		X	X			512.D288
					X		512.D289
						X	512.D290

Subject to change without notice. • Guarantee for Genuine KURT HAUFE Spares only.

KURT HAUFE Schweißtechnik GmbH & Co. KG

an enterprise of the **ABICOR** Group

P.O. Box 28 01 38 • D-01142 Dresden

Tel.: +49 3 51 / 42 03 30

Fax: +49 3 51 / 42 03 34 0